

**Please read carefully before operation !**

# **EUROTYPE - E**

## Operating instructions

Date: July 2000

Blista Brailletec gGmbH, Industriestaße 11, 35041 Marburg, Phone: 06421 802 0, Fax.: 06421 802 14  
Internet [www.brailletec.de](http://www.brailletec.de) e-mail [brailletec@brailletec.de](mailto:brailletec@brailletec.de)

## **Table of Contents**

<b>1. Introduction</b>	<b>3</b>
<b>2. Start-Up</b>	<b>3</b>
2.1. Parts Furnished	3
2.2. Connecting the Machine	4
<b>3. Operation</b>	<b>4</b>
3.1. Operating elements	4
3.2. Inserting Paper	5
3.3. Keyboard	5
3.4. Key Functions	5
3.5. Settings and Commands	6
3.6. Command List	7
3.7. Default Settings	8
3.8. Printing the Test Page	8
3.9. Moving the Embossing Head	8
<b>4. Maintenance and Trouble-Shooting</b>	<b>9</b>
<b>5. Available Accessories</b>	<b>9</b>
<b>6. Technical Specifications</b>	<b>9</b>

## 1. Introduction

The Eurotype-E is an electronic braille. Its functions are based on those of the reliable mechanical Eurotype, and enhanced by including some other features. So it has an electric drive for paper and embossing head movements and an easy-to-use electric keyboard.

The embossing head can be moved while writing. It will be automatically positioned in the correct place when continuing to write.

The Eurotype-E has an automatic paper-out indicator. This allows the machine to use single sheets of any length with a maximum width of 30 cm.

The following default settings can be changed using simple commands and also remain in memory after power off.

Input of 5 tabs

User-defined margin settings

3 selectable line spacings

6/8-dot braille toggle capability

Adjustable end-of-line warning signal

Applied in these operating instructions are the following assignments of dots and digits to the braille dots.

Arrangement of Dots in a Braille Cell:

1	○	○	4
2	○	○	5
3	○	○	6
7	○	○	8

## 2. Start-Up

### 2.1. Parts Furnished

The Eurotype-E is shipped with the following parts:

- Eurotype-E
- Power adapter 230V AC / 31 V DC
- Anti-dust cover
- Operating instructions in German or English
- Operating instructions in braille (for the first versions in print only)

Please check these components for complete shipment.

## 2.2. Connecting the Machine

Insert the cable plug of the power adapter in the power socket of the Eurotype-E (item 4).

Plug the power adapter in a wall socket. It works on 230 Volts(110V 60 Cy on request).

Turn the Eurotype-E on by pressing the toggle switch (item 2) to the front towards the raised dot. This moves the embossing head, after a short time, to position it at the left margin.

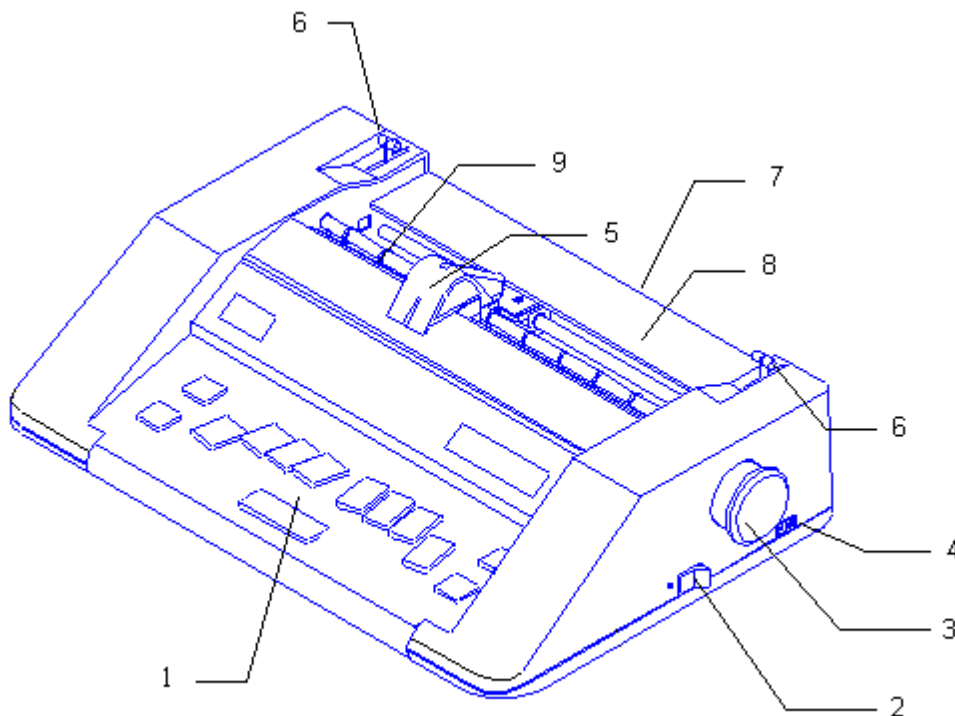
Then you will hear an audible signal indicating that the power-on procedure has now completed.

Insert the paper in the machine as described in section 3.2.

The machine is now ready for use.

## 3. Operation

### 3.1. Operating elements



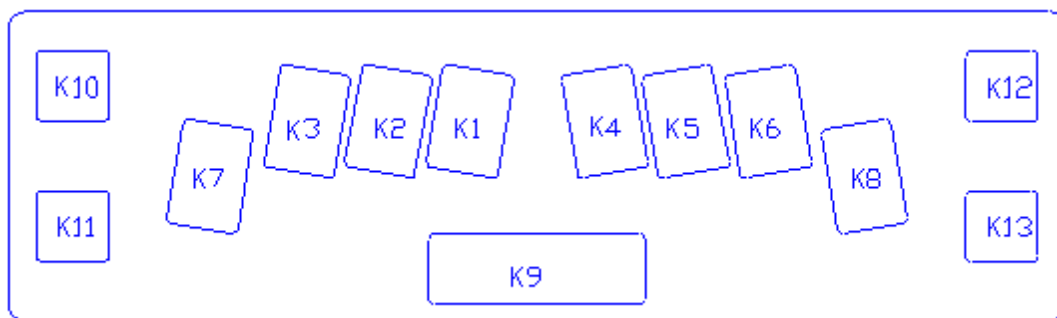
- 1 Keyboard
- 2 Power switch
- 3 Paper feed knob
- 4 Power socket
- 5 Embossing head
- 6 Lever of the paper pressure roller
- 7 Paper slot door with paper-out sensor
- 8 Reading table
- 9 Paper pressure roller

### 3.2. Inserting Paper

To insert the paper, pull the levers (item 6) of the paper pressure roller (item 9) to the front towards the keyboard.

Insert the paper from the rear of the Eurotype-E in the door of the paper slot until it appears underneath the embossing head so that you can align it in parallel position to the rear edge of the reading table. The paper must be flush with the left margin of the paper slot of the Eurotype-E. After the paper has been aligned, push the levers (item 6) of the paper pressure roller to the rear.

### 3.3. Keyboard



### 3.4. Key Functions

#### **K1 – K6** Braille dots 1 to 6

To enter a braille character, press these keys. After releasing the last key of a dot combination, the character is interpreted as an entry and embossed by the Eurotype-E.

#### **K7** Tab key and braille dot 7

When at least one of five possible tabs is set, this key moves the embossing head to the next tab position. Pressing K7 in combination with any of the K1 to K6 keys and K8 embosses dot 7 in the dot combination. In this case the machine must be switched to the 8-dot mode (see Command List).

#### **K8** Carriage return/line feed and braille dot 8

Pressing K8 moves the embossing head (item 5) back to the beginning of the line and simultaneously feeds the next line.

Pressing K8 in combination with any of the K1 to K6 keys and K7 embosses dot 8 in the dot combination. In this case the machine must be switched to the 8-dot mode (see Command List).

#### **K9** Space key

This key inserts a space in the text and moves the embossing head to the next writing position.

**K10** Paper Up key

Pressing K10 selects the next line. The embossing head remains in its current position.

**K11** Paper Down key

Pressing K11 selects the previous line. The embossing head remains in its current position.

**K12** Backspace key

Pressing K12 moves the embossing head one position to the left.

**K13** Margin release key

If the embossing head is located at the left or right margin, you can release the margin by pressing K13. This allows you to write beyond the end of the line which has previously been determined by the margin stop. At the beginning of the line you can continue moving the embossing head to the left with K12 if the embossing head has not yet reached the '0' position (mechanical left margin). Pressing K13 at the end of the page, after the end-of-page signal, allows you to write one line more.

### 3.5. Settings and Commands

The Eurotype-E has some additional commands the functions of which are explained in the following command list.

**All commands for the Eurotype-E are invoked by using a certain Key combination. In the manual this command is written as the character ,#‘.**

To invoke a command, proceed as follows:

Press the K1 – K6 keys and the space key (K9 key) simultaneously. After releasing the keys the Eurotype-E outputs a short audible signal and interprets the next entry as a command (see Command List). This command will be executed followed by the output of a short positive audible signal, unless illegal. If it cannot be executed (for example operating error), the Eurotype-E outputs three short negative audible signals.

### 3.6. Command List

#### **#K7** Set/delete tab

The Eurotype-E has five tabs. These can be set or deleted as follows:

To set a tab, move the embossing head to the desired position by using K9 or writing. Press #K7 to set a tab in this position. (If a negative audible signal is output, this means that there is no more free tab available. Please delete an unnecessary tab.)

To delete a tab, move the embossing head to the desired position by using K7. Then enter #K7.

#### **#K10** Move the left margin

Move the embossing head to the desired position (for example with K12). Any margin previously set can be released by using K13. #K10 sets the left margin in the new position.

#### **#K12** Move the right margin

Move the embossing head to the desired position (for example with K9). Any margin previously set can be released by using K13. #K12 sets the margin in the desired position.

**#K1** Set 7.5 mm line spacing

**#K2** Set 10 mm line spacing

**#K3** Set 12.5 mm line spacing

#### **#K6** 6-dot braille

This command allows you to write only 6-dot braille on the Eurotype-E. The line spacing should be set to 10 or 12.5 mm.

#### **#K8** 8-dot braille

This command allows you to also write 8-dot braille on the Eurotype-E. The line spacing should be set to 10 or 12.5 mm.

#### **#K11** Length of the end-of-line signal

This command allows you to change the length of the end-of-line signal. The command entry is somewhat different from the remaining commands. After #K11 has been entered, an audible signal is output in the length, as it sounds 6 characters before the end of the line. Available are 6 signals varying in length. The signal can also be switched off completely. Pressing K11 (not #K11) repeatedly changes signal length that you can hear. After the desired signal length has been adjusted, close the command by pressing the K8 key.

### 3.7. Default Settings

The Eurotype-E has the following default settings:

- Line spacing 10 mm
- Left margin position 1 (1 cell behind the mechanical stop)
- Right margin position 42
- 1 tab in the 20th cell position
- 8-dot braille selected
- Length of the end-of-line warning signal level 2

The default settings can be restored at any time as follows.

Turn the machine off and wait approx. 3 seconds.

While keeping the K1, K3 and K5 keys depressed, turn the machine on. After a short time it will output a positive audible signal. Release the keys.

Now the machine is reset to its default settings and the embossing head moves to the beginning of the line.

### 3.8. Printing the Test Page

Turn the machine off and wait approx. 3 seconds.

While keeping the K2, K3, K5 and K6 keys depressed, turn the machine on. After a short time it will output a positive audible signal. Release the keys, and the machine starts printing a pattern of braille dots from its memory.

(13 times per line the character with dots (1+2+3+4+5+6+7+8), (1+3+5+8), and (2+7+4+6). Press K9 to cancel the test, and the Eurotype-E will be ready for use again.

### 3.9. Moving the Embossing head

Characters just written can be read at any time by gently moving the embossing head aside. This allows you to read the last characters written. Then you can continue writing normally. The embossing head will be automatically placed again in the correct writing position.

#### **4. Maintenance and trouble-Shooting**

If the machine should not be used for a longer period of time (for example overnight), please unplug the power adapter from the wall outlet or use a multipoint connector provided with a switch.

The Eurotype-E drive itself is maintenance-free. Paper fluff, however, can accumulate in the course of time in the embossing head area. This should be removed from time to time with a soft paintbrush.

If the paper-out detection does not work properly, make sure that the paper is inserted in the extreme left of the paper slot.

If the machine does not write, the margins are perhaps not set properly. Please set the margins correctly or apply the default machine settings (see section 3.7.)

#### **5. Available Accessories**

- Machine pad (for noise dampening)
- Power adapter for other power systems on request (by example 110V 60 Cy)
- Single sheets in 250 sheet/package
- Enhancement for uni-manual operation on request
- Aluminium frame carrying case
- Plastic carrying case

#### **6. Technical Specifications**

- Braille cell size                    medium size with 2.5 mm dot spacing
- Cell spacing                        6 mm
- Line spacing                        selectable between 7.5 mm, 10 mm and 12.5mm
- Maximum paper width            300 mm (paper slot)
- Maximum embossing area        252 mm = 42 cells
- Maximum Paper length          unlimited through paper slot
- Paper thickness                    160 g/m<sup>2</sup> maximum
- Power adapter                      input 230V 50 Hz; output 31 V=
- Power consumption                during operation approx. 20W, otherwise approx. 4 W
- Weight                                4.9 kg with power adapter
- Size (LxWxH):                      295 x 440x 110 [mm]